

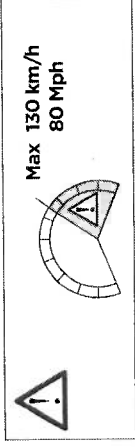
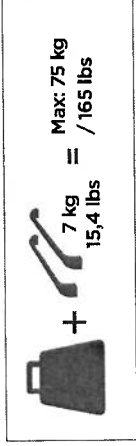
1

**Kit 187175**

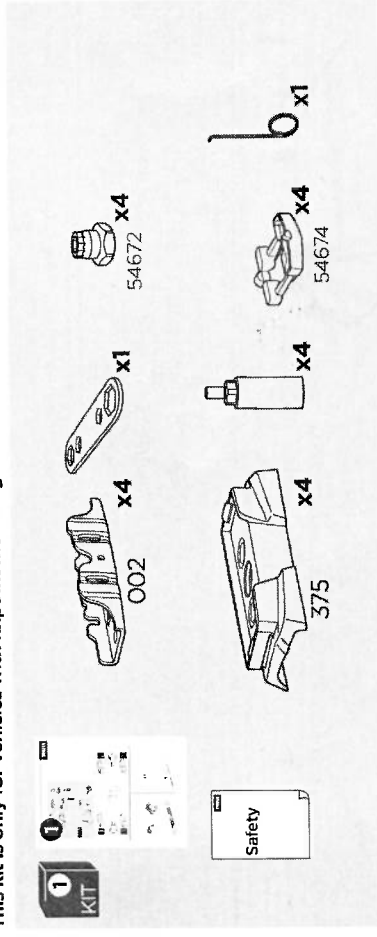
KIA Niro (SG2), 5-cr SUV, 23-



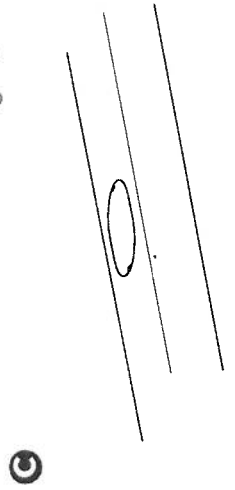
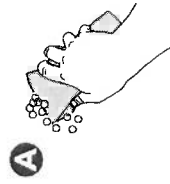
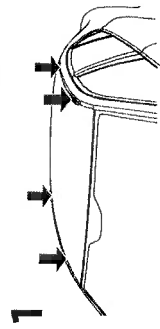
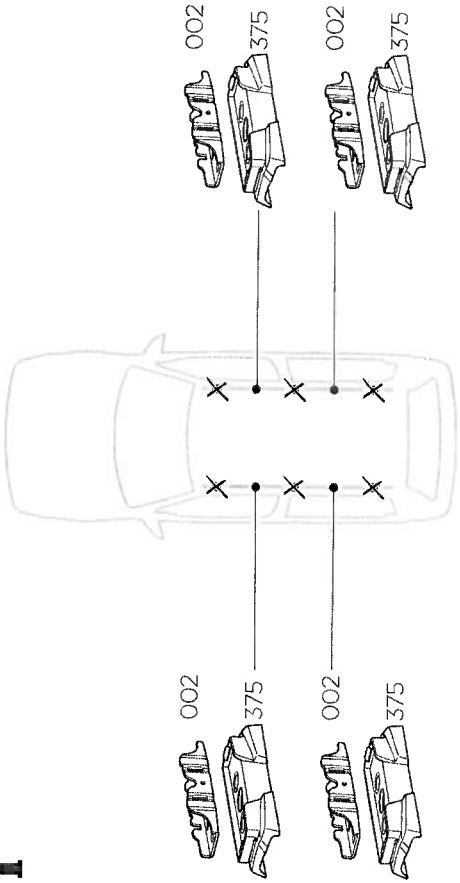
ISO 1154-E



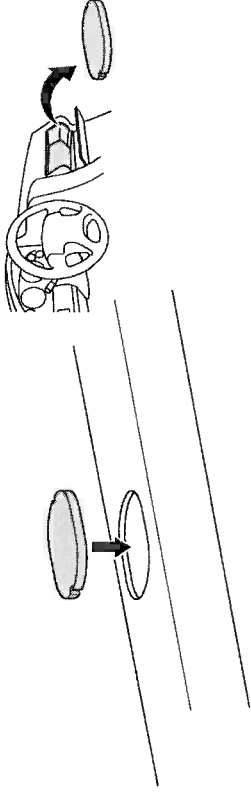
This kit is only for vehicles with fixpoint mounting.



**i**

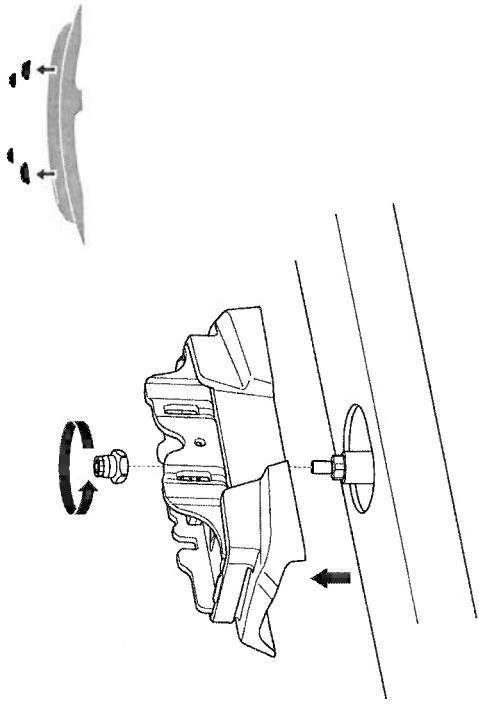


**D**

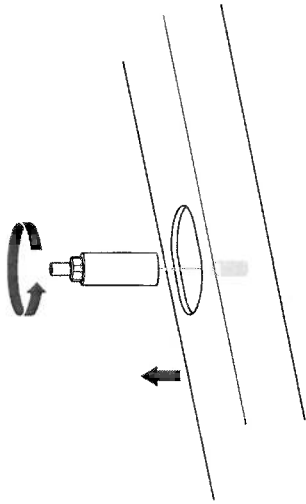


**i**

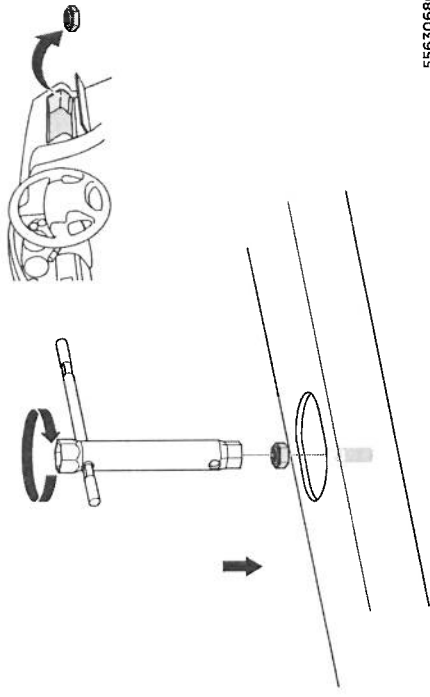
**A**



**B**

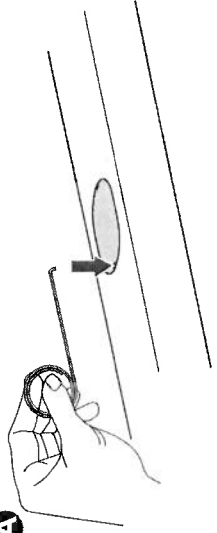


**C**

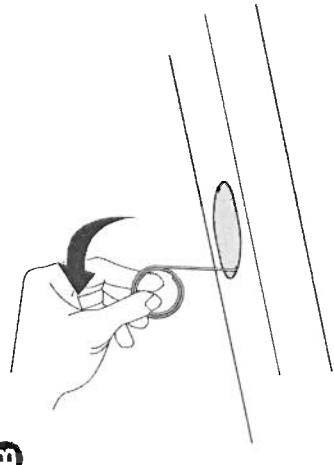


**2**

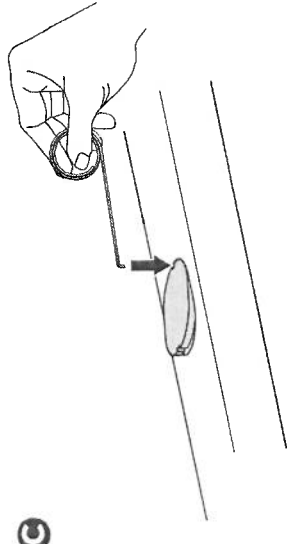
**A**



**B**



**C**



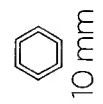
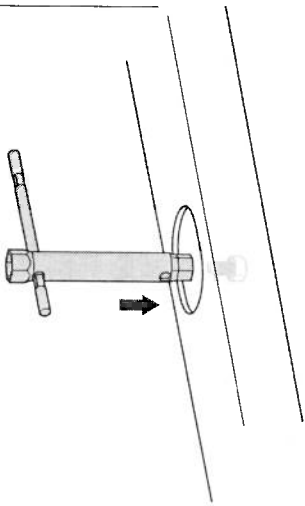
**D**



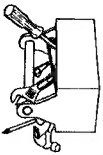
**b**<sub>x1</sub>

3

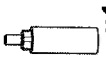
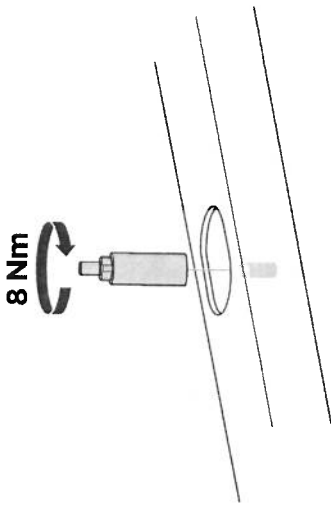
A



10 mm

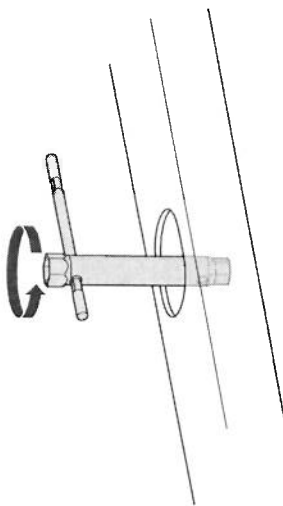


4

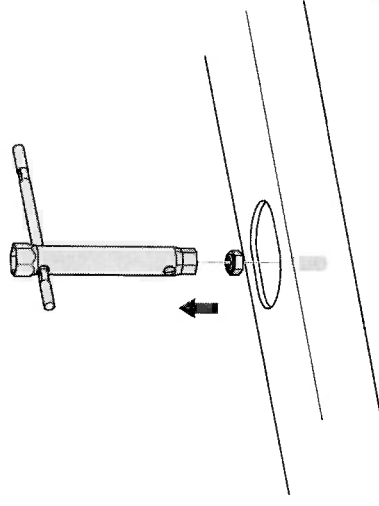


x1

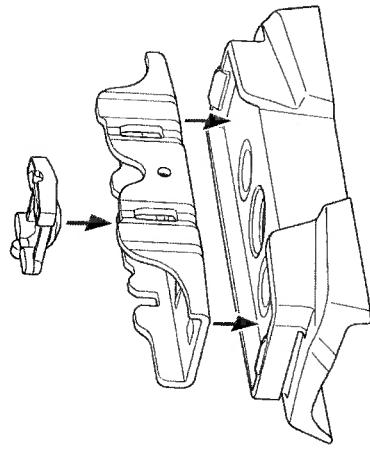
B



C



5



6

